

Made in USA

**FEATURES / BENEFITS**

- Lightweight, aluminum body, pressure/vacuum switch
- Dual-spring design for accuracy and stability
- One piece fully supported diaphragm to achieve both low set points and high proof pressures
- Factory set, tamper proof
- Stainless Steel model designed to meet FAA's 15 min. flame test requirements

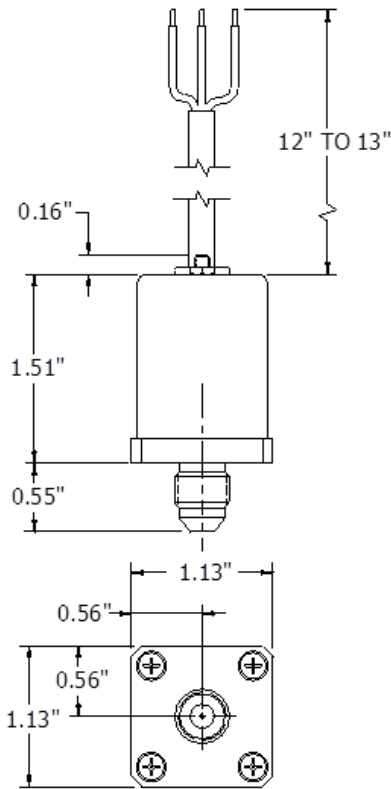
**SPECIFICATIONS**

**MECHANICAL**

Standard Tolerance	+/- 10%
Switch Type	SPDT (single pole / double throw)
Switching Medium	Air or compatible fluids
Mechanical Life	100,000 cycles
Set-Point Ranges	1.5 to 400 PSI
Proof Pressure	1000 PSI
Hysteresis	10% to 40% of set point
Operating Temp.	-65 to 400 DEG F

**ELECTRICAL**

Current Rating	Resistive 5 AMP
Operating Voltage	30VDC



**PHYSICAL**

Case Material	2024T351 Aluminum, Gold anodized or 303 Stainless Steel
Seal	Buna n, Neoprene, Silicone or Stainless Steel
Diaphragm	302 Stainless Steel
Pressure Port	Many standard ports - See part number system below
Electrical Connections	Many standard electrical connections - See part number system below
Weight	Less than 2.5 ounces

Series	Type	Housing	Seal	Electrical Output	Electrical Connection	Pressure Port	Set-Point (PSI)
670	P - Pressure	AL - Aluminum	1 - Buna n	SP - SPDT	1 - Amp 6-p	A - 1/8" MNPT	1.5-400 PSI
	V - Vacuum	ST - Stainless Steel	2 - Ethylene Propylene	DP - DPDT	2 - 12" leads	B - 1/4" MNPT	
	D - Differential		3 - Mylar		3 - Amp Mate-N-Lok 1-480700	C - An816-4d	
			4 - Neoprene		4 - Amp Mate-N-Lok 1-480701	D - And10050-4	
			5 - Silicone		5 - MS3102-10SI-3P	E - Imperial 1/4" plastic	
			6 - Stainless Steel		6 - MS3112E10-6P	F - MS33656E-6	
					7 - MS33678-10SI-3P	G - MS33649-4	
						H - MS33656E-2	
						I - MS33656E-4	
						J - MS33656E-5	
						K - MS33656E-3	

**Determine Your Product Number:**

**670 - x - xx - x - SP - x - x - xxxx**

Highlighted Options Standard

**670 SERIES**

Kontakt für Rückfragen aus Deutschland, Österreich und Schweiz :



**HJK Sensoren + Systeme GmbH & Co. KG**

Telefon +49 (0)8233-77 963-0 eMail info@hjk.de  
 Telefax +49 (0)8233-77 963-11 Internet http://www.hjk.de