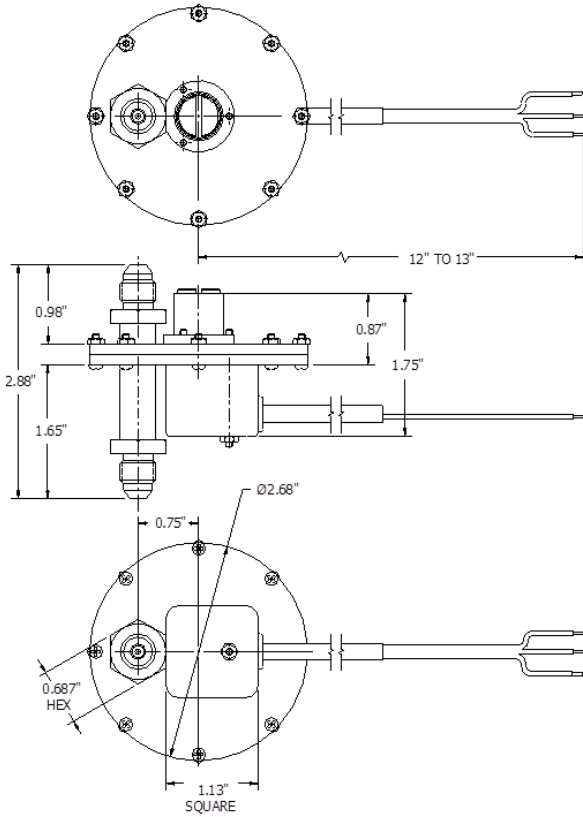


Made in USA

FEATURES / BENEFITS

- Lightweight, aluminum construction
- Low pressure ranges
- Fully enclosed design for harsh environments
- Wet / Wet ability
- SPDT & DPDT electrical switch options available

SPECIFICATIONS



MECHANICAL

Standard Tolerance	+/- 10%
Switch Type	SPDT (single pole / double throw) or DPDT (double pole / double throw)
Switching Medium	Air or compatible fluids
Mechanical Life	100,000 cycles
Set-Point Ranges	.01 to 6 PSI
Proof Pressure	75 PSI
Hysteresis	10% to 50% of set point
Operating Temp.	-65 TO 350 DEG F

ELECTRICAL

Current Rating	Resistive 5 AMP
Operating Voltage	30VDC



PHYSICAL

Case Material	2024T351 Aluminum, Gold anodized
Seal	Varies by option - See part number system below
Diaphragm	Mylar
Pressure Port	Varies by option - See part number system below
Electrical Connections	Wire leads or Mate n lok 1-480701
Weight	Less than 6 ounce

Series	Type	Housing	Seal	Electrical Output	Electrical Connection	Pressure Port	Set-Point (PSI)
654	P - Pressure	AL - Aluminum	1 - Buna n	SP - SPDT	1 - Amp 6-p	A - 1/8" MNPT	0.01-6 PSI
	V - Vacuum	ST - Stainless Steel	2 - Ethylene Propylene	DP - DPDT	2 - 12" leads	B - 1/4" MNPT	
	D - Differential		3 - Mylar		3 - Amp Mate-N-Lok 1-480700	C - An816-4d	
			4 - Neoprene		4 - Amp Mate-N-Lok 1-480701	D - And10050-4	
			5 - Silicone		5 - MS3102-10SI-3P	E - Imperial 1/4" plastic	
			6 - Stainless Steel		6 - MS3112E10-6P	F - MS33656E-6	
					7 - MS33678-10SI-3P	G - MS33649-4	
						H - MS33656E-2	
						I - MS33656E-4	
						J - MS33656E-5	
						K - MS33656E-3	

Determine Your Product Number:

654 - x - AL - x - xx - x - x - xxxx

Highlighted Options Standard

654 SERIES

Kontakt für Rückfragen aus Deutschland, Österreich und Schweiz :



HJK Sensoren + Systeme GmbH & Co. KG

Telefon +49 (0)8233-77 963-0 eMail info@hjk.de
 Telefax +49 (0)8233-77 963-11 Internet http://www.hjk.de