



FEATURES / BENEFITS

- Adjustable pressure ranges up to 5000 psi
- Suitable for high proof pressures (9000 psi)
- Robust zinc plated housing sealed to IP 65
- Industry standard Din 43650 A electrical connection
- Mechanical life in excess of 1,000,000 cycles

SPECIFICATIONS

MECHANICAL

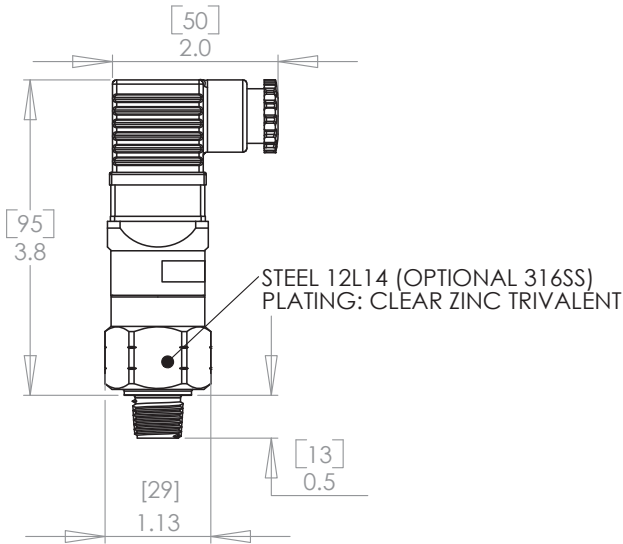
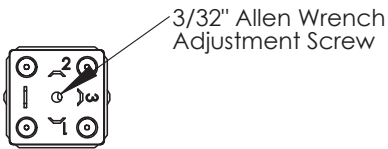
Set Point Ranges	30–5000 psi
Repeatability	+/- 2% FS
Maximum Overpressure	9000 psi
Mechanical Life	1,000,000 Cycles
Temperature range	-20–180° F

PHYSICAL

Housing Material	Zinc Plated Steel
Diaphragm	Nitrile (other options available on request)
Pressure Port	1/4" NPT Male
Environmental Protection	IP 65
Electrical Connection	Din 43650 A
Weight	0.41 lbs

ELECTRICAL

Switch Type	SPDT Snap Action
Current Rating	5 A 12/24 VDC - 125 VAC 3 A 250 VAC



Model Number	Part Number	Adjustment Range	Average Differential
210HP-4-4M-C-HC	D31000	30–120 psi	9–20 psi
210HP-5-4M-C-HC	D31001	75–300 psi	12–36 psi
210HP-6-4M-C-HC	D31002	300–1200 psi	69–80 psi
210HP-7-4M-C-HC	D31003	1000–3000 psi	180–360 psi
210HP-8-4M-C-HC	D31004	2000–5000 psi	200–400 psi

210HP SERIES