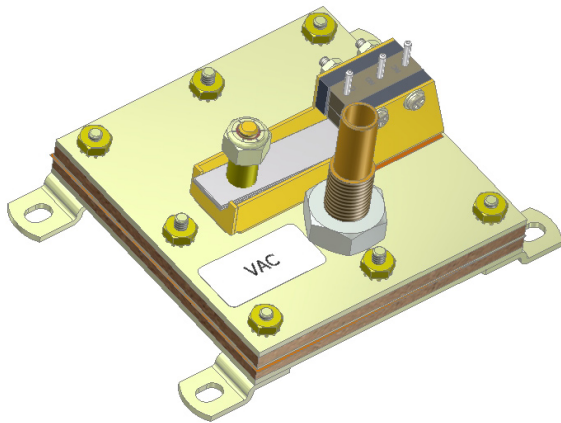




The Henry G. Dietz Co., Inc

Model D1

Dietz Differential Pressure Switch



- Rugged flat-plate construction performs in harsh environments
- Reliable mechanical life over millions of cycles
- Withstands high pressure overloads without physical damage or calibration changes
- Easily adjustable actuation point
- Minimal internal air volume allows switch to actuate without delay
- High capacity electrical ratings
- Gold contact points available for low DC voltage and minimum current
- Can be supplied with moisture and fungus resistant treatment

Specifications

Operating Ranges:

From 0.7" to 7.0 H₂O

Construction:

Fabricated or sheet aluminum anodized in accordance with MIL-A-8625, Type 1, Class 2

Electrical Ratings:

Rated at 4 amperes, 250 volts AC, 28 volts DC, 5 amperes resistive, 3 amperes inductive

Weight:

5 ounces

Connection Options:

Push-on connector terminals

Solder type terminals

Navy Type 8TB2 terminals per MIL-T-55164A

Low Current:

Snap switches available with gold plated contacts for low voltage and current (DC) applications

**Kontakt für Rückfragen aus
Deutschland, Österreich und
Schweiz :**



HJK Sensoren + Systeme GmbH & Co. KG

Telefon +49 (0)8233-77 963-0 eMail info@hjk.de

Telefax +49 (0)8233-77 963-11 Internet <http://www.hjk.de>

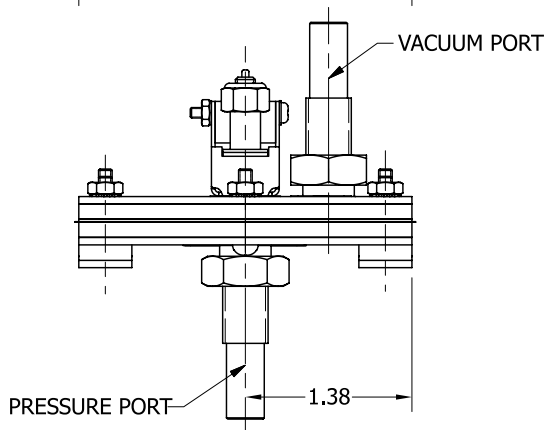
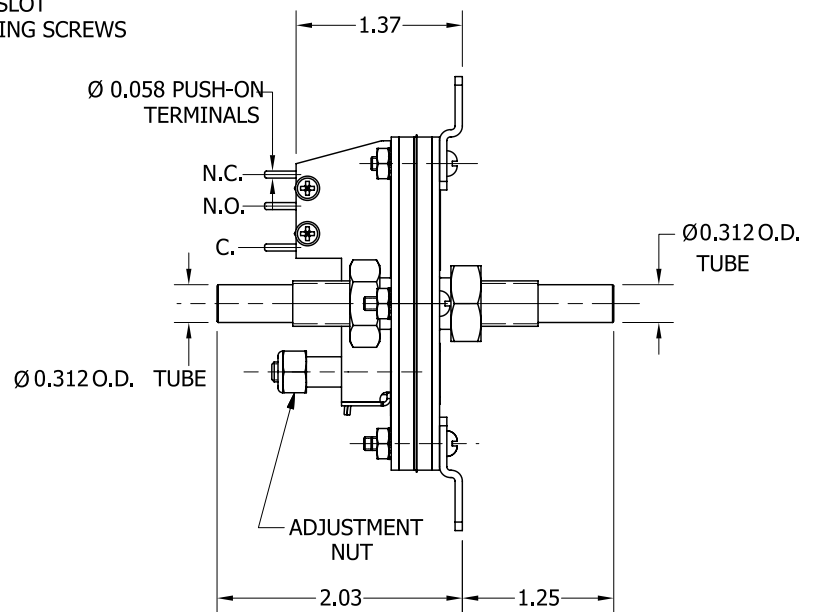
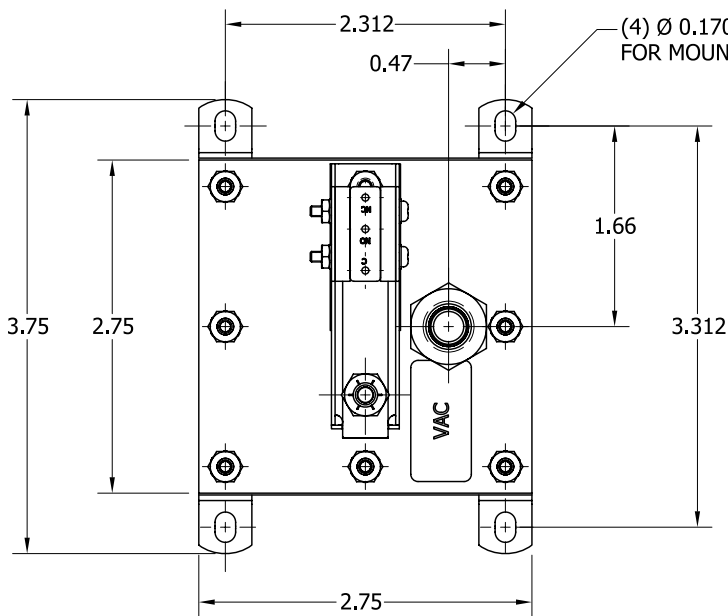


est. 1947

The Henry G. Dietz Co., Inc

Model D1

Dietz Differential Pressure Switch



Kontakt für Rückfragen aus
Deutschland, Österreich und
Schweiz :



HJK Sensoren + Systeme GmbH & Co. KG

Telefon +49 (0)8233-77 963-0 eMail info@hjk.de

Telefax +49 (0)8233-77 963-11 Internet <http://www.hjk.de>