



Model 161P

Dietz Low Air Pressure Switch



- Precise / Compact / Economical
- Reliable and simple single-action diaphragm design
- High precision in a rugged steel housing
- ¼" NPT male pressure connection for easy mounting
- Six models with pressure settings from 0.25 to 15.0 PSI

Specifications *U.L. listed

Temperature:

-30° F to +115° F, and to +125° F where the acceptability of the combination is determined by U.L.*

Electrical Rating:

15 amps, 125-480 volts, 60HzAC, 1/8HP 125 volts AC, ¼ HP 250 volts AC

Set Point Adjustment:

Elastic stop nut inside conduit enclosure

Diaphragm:

Neoprene rubber, heat resistant to 125° F, Compound #12242-5

Maximum Surge Pressure: 50 PSI

Rated Pressure: 35 PSI

Pressure Connection – ¼" NPT

Wiring Connections:

Three-screw type common, normally open and normally closed
Single Pole, Double Throw

Housing: Steel

Weight: Maximum 1 lb. 12 oz.

Operating Ranges

Model	Operating Range PSI	Approximate Deadband	Operating Range H ₂ O	Approximate Deadband H ₂ O
161P1.0	0.25 – 1.00	0.10	6.9 – 27.7	2.7
161P1.3	0.25 – 1.30	0.10	6.9 – 36.0	2.7
161P5	0.25 – 5.00	0.25	6.9 – 138.5	6.9
161P10	0.50 – 10.00	0.50	13.8 – 277.0	13.8
161P15	0.75 – 15.00	0.75	20.8 – 415.6	20.8

Note: Switches cannot be set to exceed the maximum pressure marked on the switch.

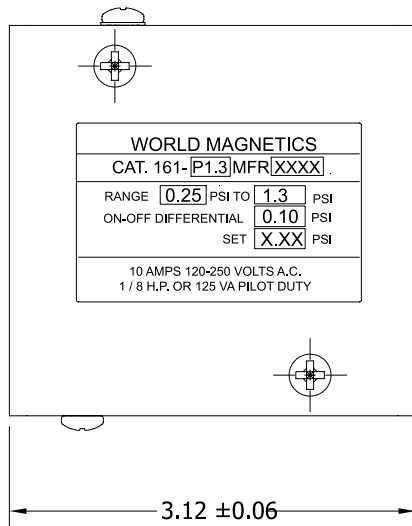


est. 1947

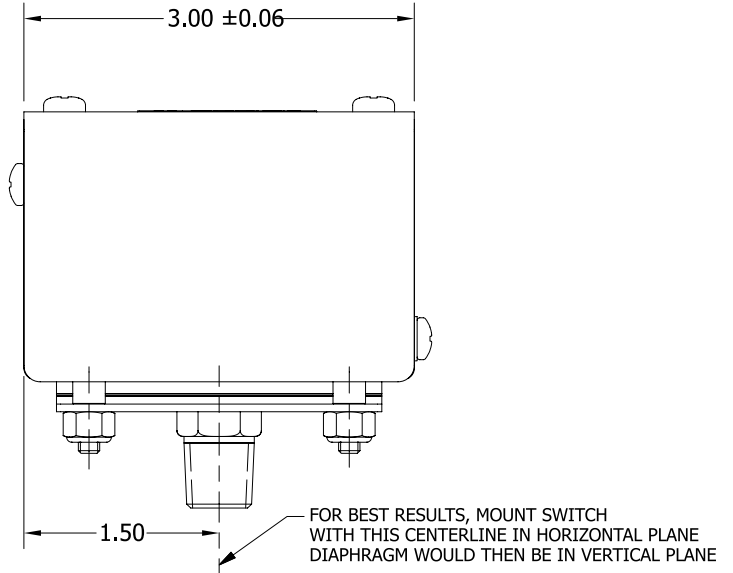
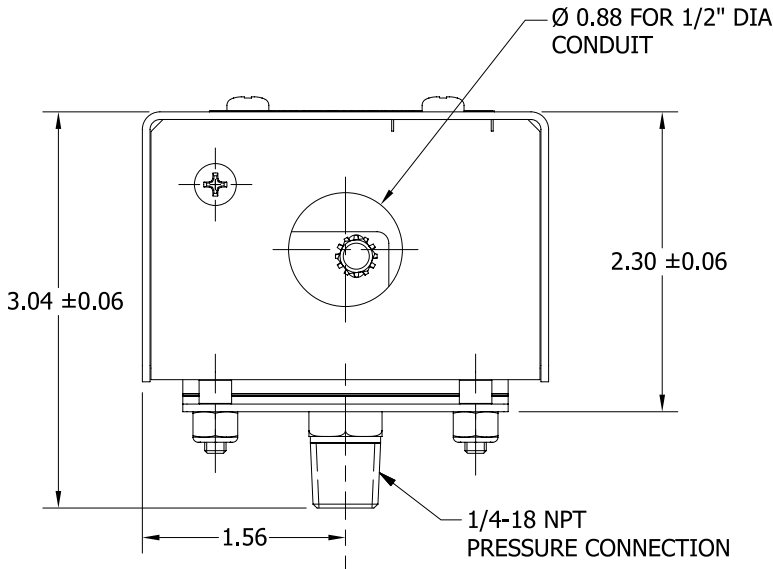
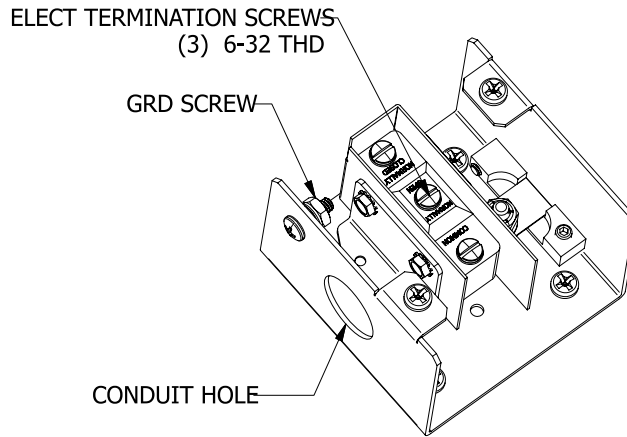
The Henry G. Dietz Co., Inc

Model 161 P1.3

Dietz Low Air Pressure Switch



VIEW WITH COVER REMOVED





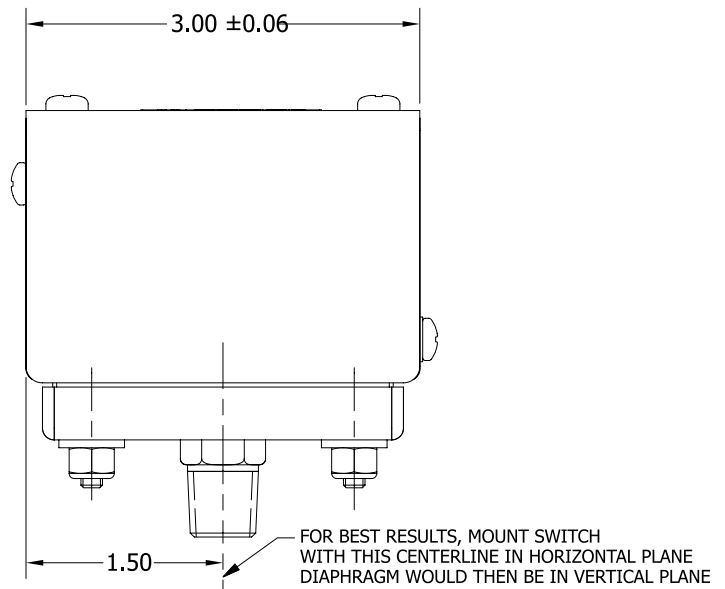
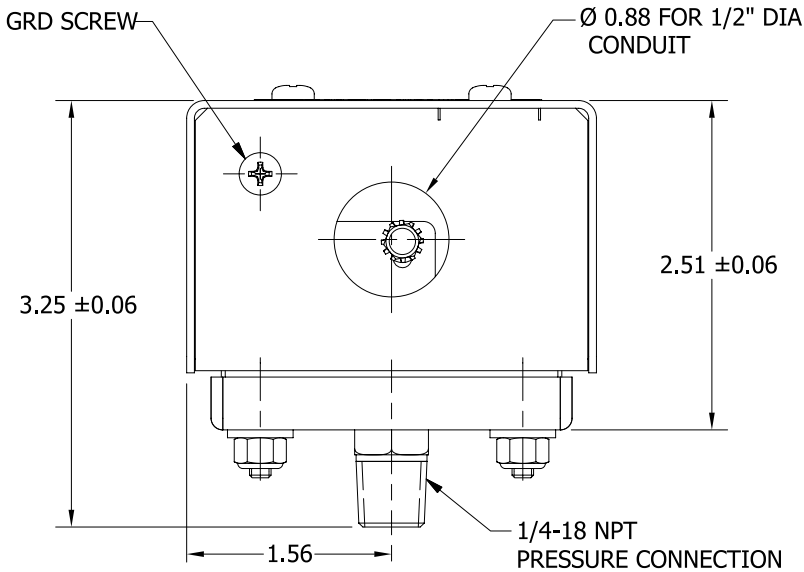
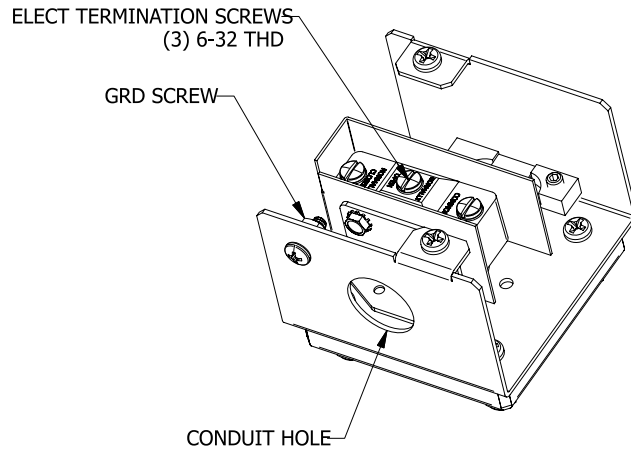
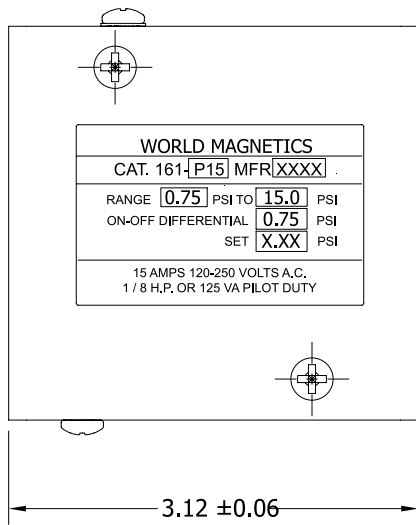
est. 1947

The Henry G. Dietz Co., Inc

Model 161 P15

Dietz Low Air Pressure Switch

VIEW WITH COVER REMOVED



Kontakt für Rückfragen aus Deutschland, Österreich und Schweiz :



HJK Sensoren + Systeme GmbH & Co. KG

Telefon +49 (0)8233-77 963-0 eMail info@hjk.de

Telefax +49 (0)8233-77 963-11 Internet http://www.hjk.de