

PS100

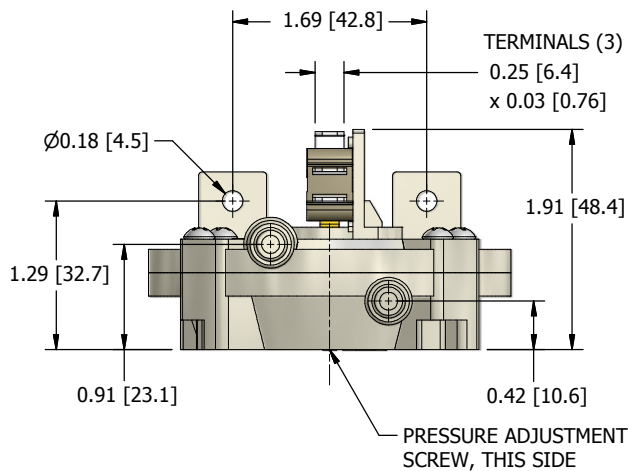
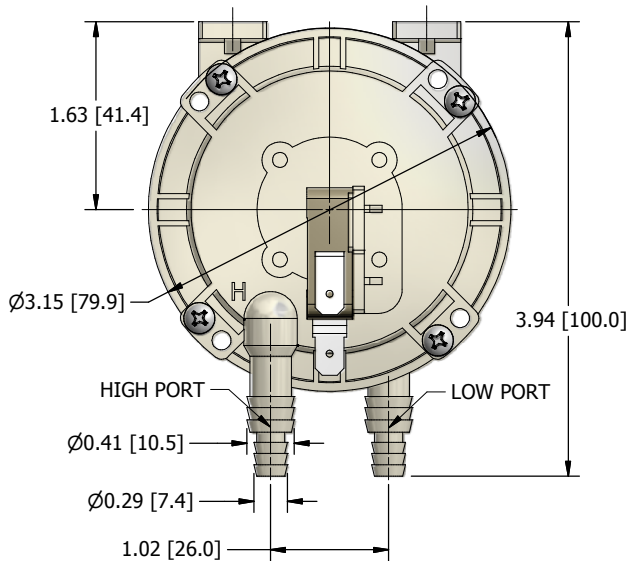


RoHS

The rugged yet ultra-sensitive Goldtech™ PS100 and PS160 series pressure switches feature a larger diameter diaphragm and incorporate a conventional snap action switch element. This design assures reliable performance under harsh and adverse conditions, while remaining low in relative cost. Sample switch available by request.

FEATURES / BENEFITS

- Reliable performance under harsh / adverse conditions
- Larger diameter diaphragm / Conventional snap action
- Standard set point ranges from: 0.07" H₂O to 5.0" H₂O
- Multi-barb port connections standard tubing: 0.250 in. and 0.375 in.
- Orifices, bleed holes and various mounting configurations available on all models
- Lightweight, low cost
- Rigorously tested – Exceeds UL-508 / UL-353 Pilot Duty requirements (Tested hundreds of thousands of cycles)
- Silver contact points
- Different sized electric terminations available for same unit



PS100



SPECIFICATIONS

MECHANICAL

Standard Tolerance	Varies by set point — contact us
Switch Type	SPDT
Switching Medium	Air; compatible fluids
Mechanical Life	Tested hundreds of thousands of cycles; Exceeds UL-508 / UL-353 Pilot Duty requirements
Max Operating Pressure	PS160 - 0.5psi / PS100 - 1.0psi
Burst Pressure	3.5psi
Operating Temperature	PS160 -40°F to +185°F / PS100 -13°F to +221°F

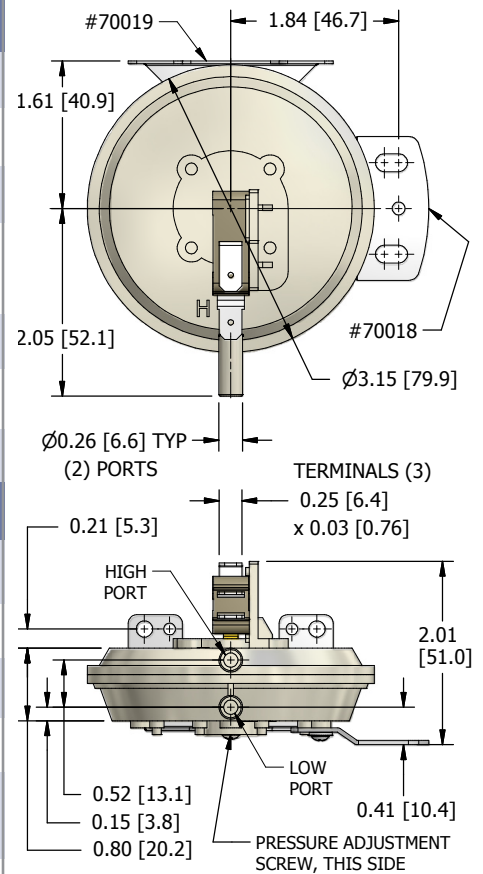
PHYSICAL

Case Material	Noryl® (PPO)
Porting Options	Multi-barb 0.250 in. and 0.375 in. tubing ID (PS100) / 0.25 tubing ID. (PS160)
Diaphragm Material	Post-Cured Silicon
Contact Points	Silver
Electrical Connections	Terminals – 0.250 in. x 0.30 in. tab-type for use with quick disconnects
Mounting <small>(see brackets shown below)</small>	PS100 Series: Vertical mount recommended PS160 Series: Variable position vertical mounting brackets available. <small>Note: Always mount with diaphragm in vertical position unless otherwise specified</small>
Weight	Less than 80 grams average (varies with snap switch / brackets)

ELECTRICAL

Current / Voltage Rating	5A 125/250 VAC Standard 3A 125/250 AC 1/10 HP 125/250 VAC .01A 125/250 VAC
Rated Standards	(UL 1054, EN 61058) UL/VDE Approved MH29861 Related: UL 353, UL 508, BS EN 1854: 1997

MOUNTING BRACKET STYLE MUST BE SELECTED
(ONLY ONE IS REQUIRED)

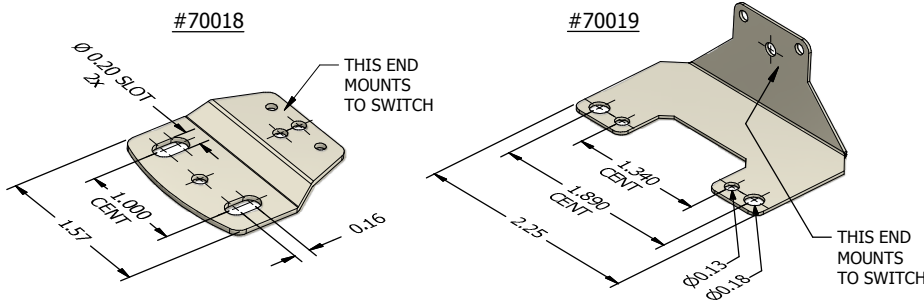


PS160



RoHS

PS100 & PS160



FOR YOUR SAMPLE SWITCH, PLEASE CONTACT US TODAY! WE'RE LISTENING...